

## Stainless Steel-Handwheels

### SPECIFICATION

#### Types

- Type **A**: without handle
- Type **D**: with revolving handle

#### Bore codes

- Version **B**: without keyway
- Version **K**: with keyway

Stainless Steel precision casting

- AISI CF-8
- Hub machined
- Rim turned
- matt shot-blasted

Revolving handles

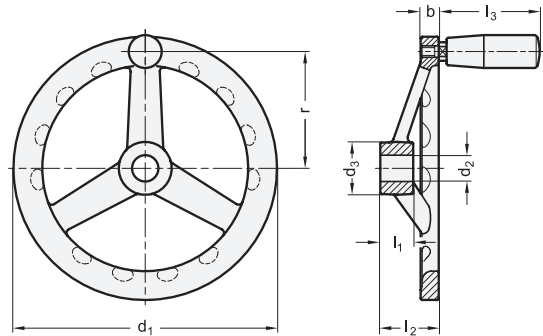
- Plastic Duroplast, black, shiny finish
- Spindle Stainless Steel AISI 304



### INFORMATION

The design of Stainless Steel-Handwheels GN 949 complies with the requirements of hygiene standards.

The revolving handles are made of Duroplast which, in general, provides good resistance to the impact of chemical agents.



\* Complete with Bore codes of the Handwheels (B or K)

**B** without keyway      **K** with keyway

### GN 949-A

STAINLESS STEEL

Description	d1	d2 H8	d3	b	l1	l2 ≈	No. of spokes	⚖
GN 949-100-*10-A	100	10	20	7	15	27.5	3	222
GN 949-100-*12-A	100	12	20	7	15	27.5	3	200
GN 949-125-*12-A	125	12	24	9	16	28.5	3	425
GN 949-125-*14-A	125	14	24	9	16	28.5	3	410
GN 949-140-*14-A	140	14	28	10	18	30.5	3	640
GN 949-140-*16-A	140	16	28	10	18	30.5	3	600
GN 949-160-*14-A	160	14	31	11	20	35.5	3	825
GN 949-160-*16-A	160	16	31	11	20	35.5	3	805
GN 949-200-*18-A	200	18	36	14	23	39	3	1442
GN 949-200-*20-A	200	20	36	14	23	39	3	1400

### GN 949-D

STAINLESS STEEL

Description	d1	d2 H8	d3	b	l1	l2 ≈	l3 ≈	r	Ø Handle	No. of spokes	⚖
GN 949-100-*10-D	100	10	20	7	15	27.5	45	44	18	3	255
GN 949-100-*12-D	100	12	20	7	15	27.5	45	44	18	3	240
GN 949-125-*12-D	125	12	24	9	16	28.5	55	55	21	3	420
GN 949-125-*14-D	125	14	24	9	16	28.5	55	55	21	3	405
GN 949-140-*14-D	140	14	28	10	18	30.5	70.5	62	23	3	700
GN 949-140-*16-D	140	16	28	10	18	30.5	70.5	62	23	3	680
GN 949-160-*14-D	160	14	31	11	20	35.5	70.5	71	23	3	920
GN 949-160-*16-D	160	16	31	11	20	35.5	70.5	71	23	3	900
GN 949-200-*18-D	200	18	36	14	23	39	70.5	90	23	3	1544
GN 949-200-*20-D	200	20	36	14	23	39	70.5	90	23	3	1495

Weight bore code B

